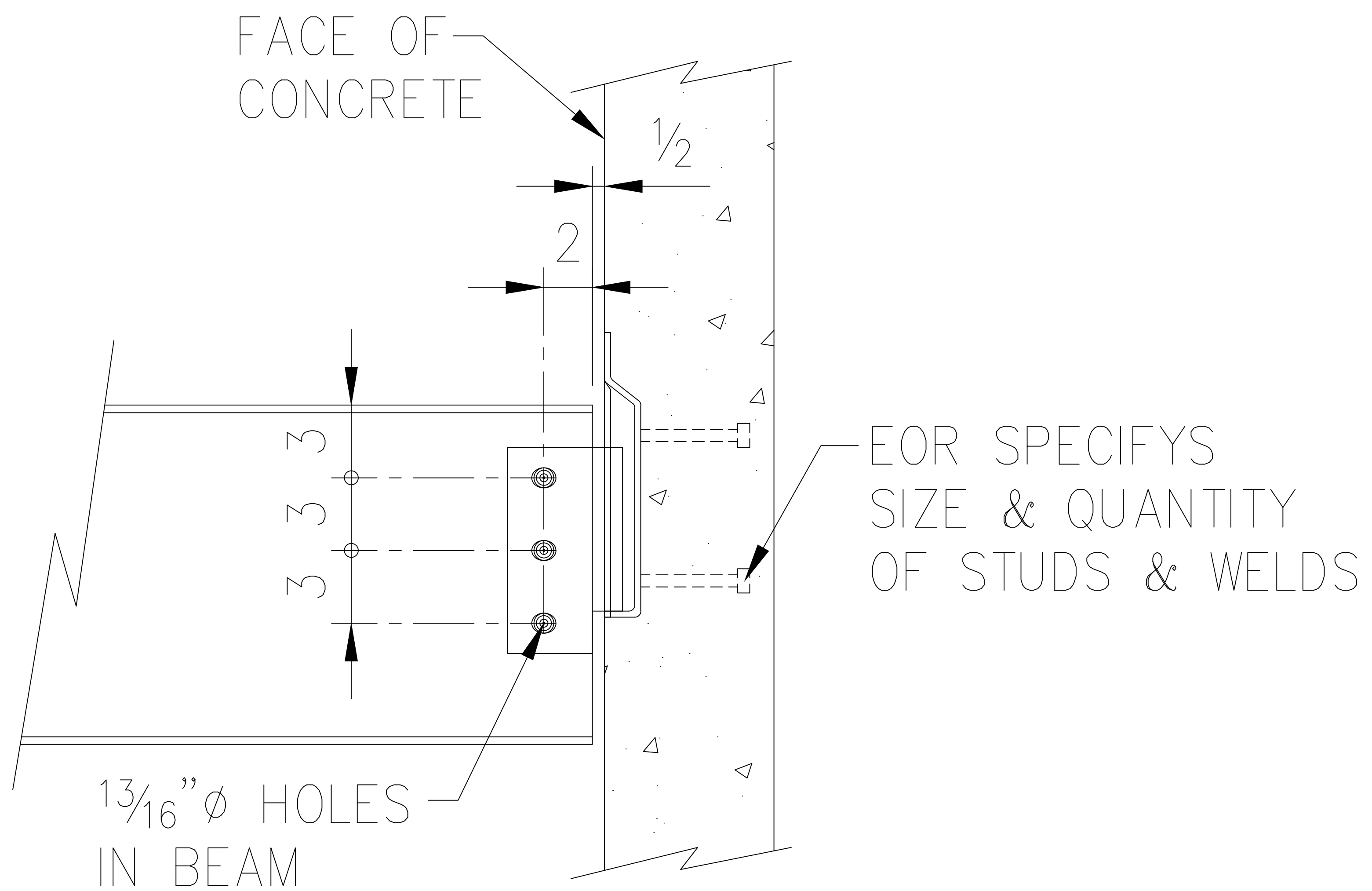


CONNECT-EZ™

“THE SAFE CONNECTION”



CONNECT-EZ™

V – ST3 & SEAT
PATENT PENDING

WWW.THECONNECT-EZ.COM
(937)903-7836