

January 8, 2021



Re: Simpson Strong-Tie® Titen HD® Screw Anchor for the CONNECT-EZ™ PA-12 Panel Anchor

To Whom It May Concern,

Simpson Strong-Tie supports the use of the ¾ inch diameter, 10-inch long, Titen HD screw anchor (model no. THD75100H) installed at a minimum 6-inch nominal embedment depth with the CONNECT-EZ Panel Anchor (PA-12) when conforming to the detail shown in Enclosure No. 1.

A 6-inch nominal anchor embedment depth in uncracked, normal weight concrete with a minimum specified compressive strength of 2,500 psi results in a nominal anchor tension strength (N_n) not less than 10,000 lbs. which satisfies the requirements of ACI 318-14, Sec. 16.2.4.3 (b) for a single, vertical integrity tie. Hole drilling procedures, hole preparation, and Titen HD anchor installations must be performed in accordance with Simpson Strong-Tie's published installation instructions. Project conditions and installation must also comply with the following additional provisions:

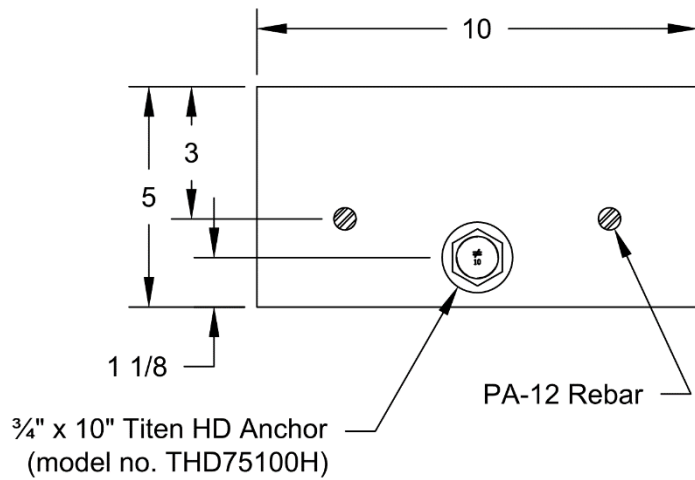
1. All concrete must be normal weight and have a compressive strength not exceeding 8,000 psi at the time of anchor installation.
2. The Design Professional in responsible charge of the design shall have determined that it is permissible for post-installed anchor design to be based on uncracked concrete service conditions.
3. The distance between the centerline of any ¾ inch Titen HD screw anchor and any concrete edge shall not be less than 7 inches, and the centerline-to-centerline spacing of adjacent Titen HD screw anchors shall not be less than 14 inches.

The information in this letter is valid until **12/31/2021** when it will be re-evaluated by Simpson Strong-Tie. Please visit www.strongtie.com for additional pertinent information. If you have questions or need further assistance regarding this matter, please contact the Simpson Strong-Tie engineering department at 800.999.5099.

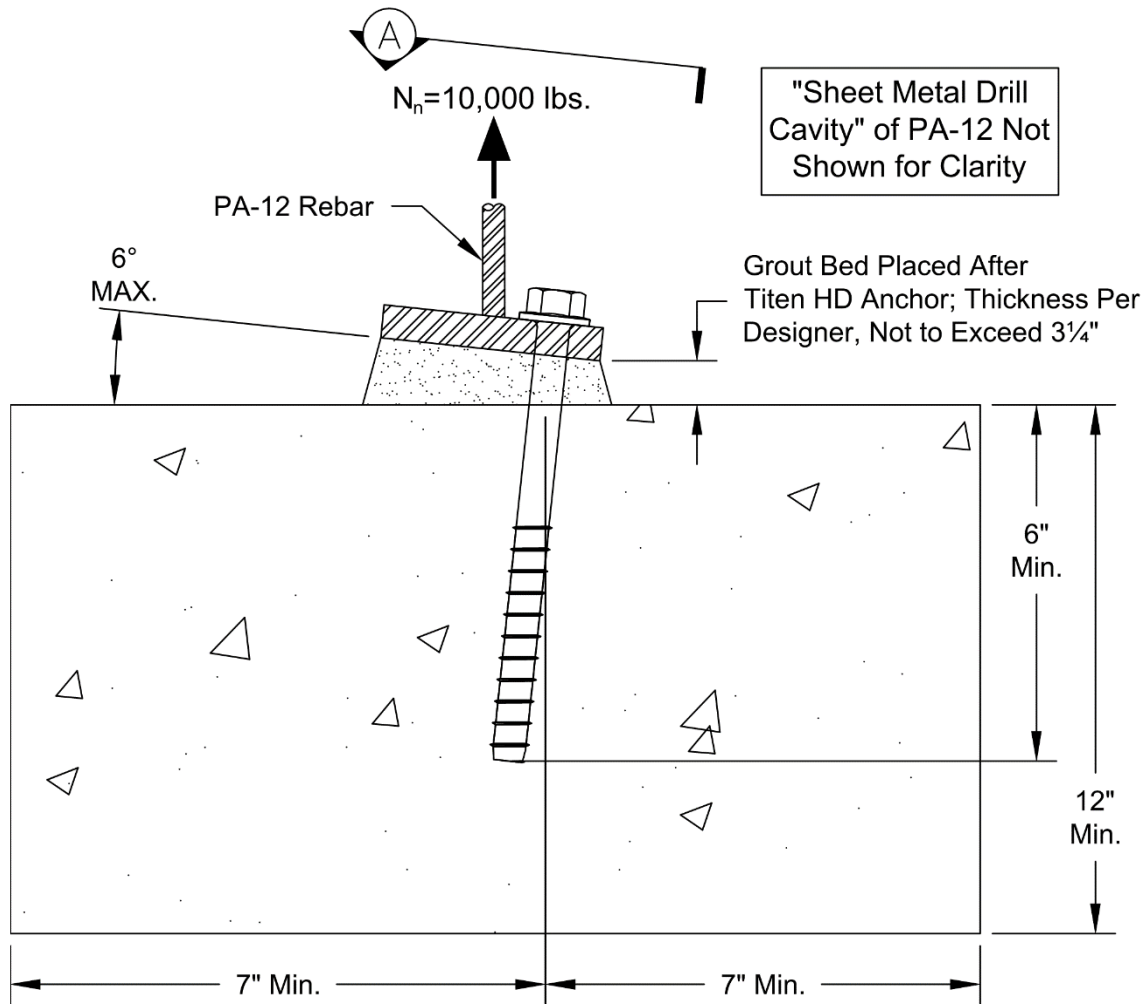
Sincerely,

SIMPSON STRONG-TIE COMPANY INC.

Encl.: Enclosure No. 1 – Titen HD Screw Anchor with CONNECT-EZ PA-12 Detail



(A) **CONNECT-EZ PA-12 Panel Anchor Base Plate**
 3/4" STEEL, Fy = 50 ksi



Enclosure No. 1 – Titen HD Screw Anchor with CONNECT-EZ PA-12 Detail